

TANAKA

VENUS-DS

DOUBLE STAGE REGULATOR

Applicable to precision control of delivery pressure.

Surpass in durability and preservation of purity of gas.



< Standard Feature >

- 316L Stainless Steel Diaphragm
- 316 Stainless Steel Mesh Filter
- Brass Bar Stock Body with Nickel Plating
- Brass Forging Bonnet Cap with Nickel Plating
- bar/psi Dual Scale Pressure Gauge with Stainless Steel Case

Push-in Check Marker



Marker does not protrude



Marker protrudes

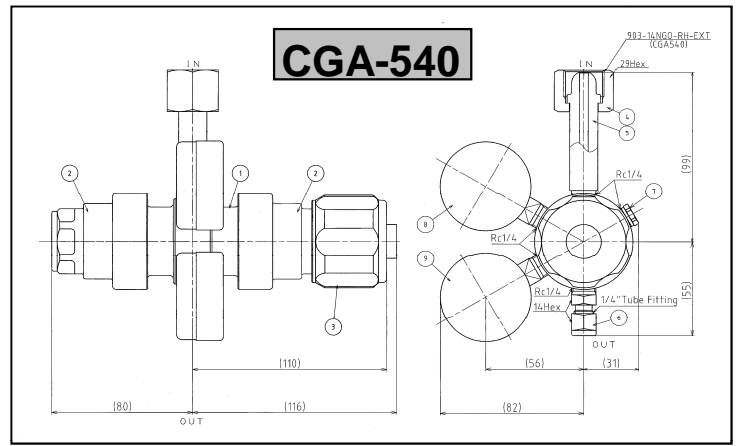
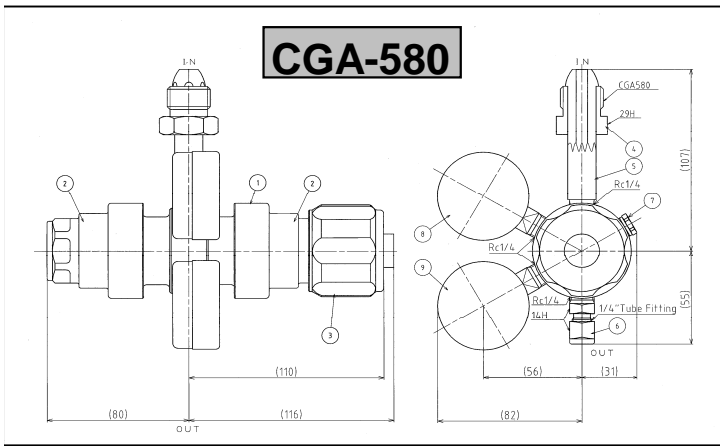
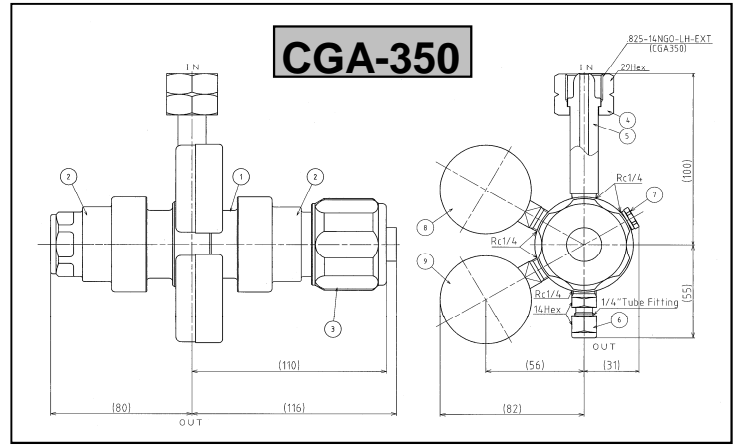
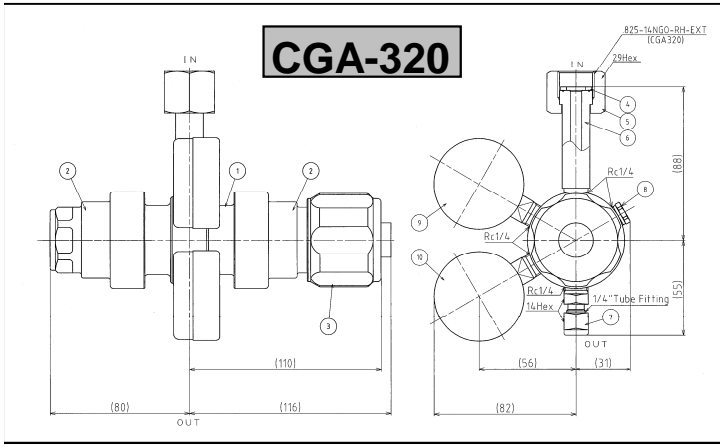
Model	Inlet Connection	Outlet Connection	Applied Gases	Maximum Using Pressure		Pressure Gauge Range	
				Inlet(psig)	Outlet(psig)	Inlet(psig)	Outlet(psig)
VDS-B8G02G-320	CGA-320	1/4" Tube Fitting	CO ₂	3000 (210bar)	20 (1.4bar)	0-4000 (0-280bar)	-30" Hg-0-30
VDS-B8G07G-320	CGA-320	1/4" Tube Fitting	CO ₂	3000 (210bar)	60 (4.2bar)	0-4000 (0-280bar)	-30" Hg-0-100
VDS-B8G14G-320	CGA-320	1/4" Tube Fitting	CO ₂	3000 (210bar)	150 (10.5bar)	0-4000 (0-280bar)	-30" Hg-0-200
VDS-B8G02G-350	CGA-350	1/4" Tube Fitting	H ₂	3000 (210bar)	20 (1.4bar)	0-4000 (0-280bar)	-30" Hg-0-30
VDS-B8G07G-350	CGA-350	1/4" Tube Fitting	H ₂	3000 (210bar)	60 (4.2bar)	0-4000 (0-280bar)	-30" Hg-0-100
VDS-B8G14G-350	CGA-350	1/4" Tube Fitting	H ₂	3000 (210bar)	150 (10.5bar)	0-4000 (0-280bar)	-30" Hg-0-200
VDS-B8G02G-540	CGA-540	1/4" Tube Fitting	O ₂	3000 (210bar)	20 (1.4bar)	0-4000 (0-280bar)	-30" Hg-0-30
VDS-B8G07G-540	CGA-540	1/4" Tube Fitting	O ₂	3000 (210bar)	60 (4.2bar)	0-4000 (0-280bar)	-30" Hg-0-100
VDS-B8G14G-540	CGA-540	1/4" Tube Fitting	O ₂	3000 (210bar)	150 (10.5bar)	0-4000 (0-280bar)	-30" Hg-0-200
VDS-B8G02G-580	CGA-580	1/4" Tube Fitting	N ₂ , Ar	3000 (210bar)	20 (1.4bar)	0-4000 (0-280bar)	-30" Hg-0-30
VDS-B8G07G-580	CGA-580	1/4" Tube Fitting	N ₂ , Ar	3000 (210bar)	60 (4.2bar)	0-4000 (0-280bar)	-30" Hg-0-100
VDS-B8G14G-580	CGA-580	1/4" Tube Fitting	N ₂ , Ar	3000 (210bar)	150 (10.5bar)	0-4000 (0-280bar)	-30" Hg-0-200

BS CONNECTION IS AVAILABLE



NISSAN TANAKA CORPORATION

APPEARANCE



PROPERTY LIST

